
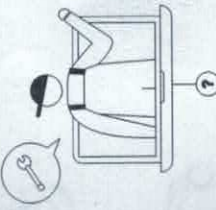


Assembly Manual
Office Chair
CAM0162TW/CAM0163TW



Please read this manual carefully before any operation and keep it properly for future use.
Customer Service: acs-service@isunon.com

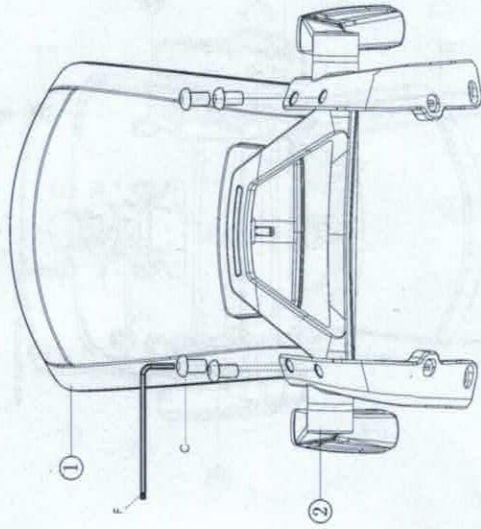
Assembly note:

	<ul style="list-style-type: none"> ● Use a protective mat and handle the product with care. 
<ul style="list-style-type: none"> ● Two people are preferred. 	<ul style="list-style-type: none"> ● Contact us if you have any confusions. 

Contact us
If you have any problems or concerns about your purchase, please get in touch with our customer service (customer@syndial.com) as soon as possible and we will do everything we can to help.
 You'll be highly appreciated if you can put your order number in the email title so that we can deal with it efficiently.

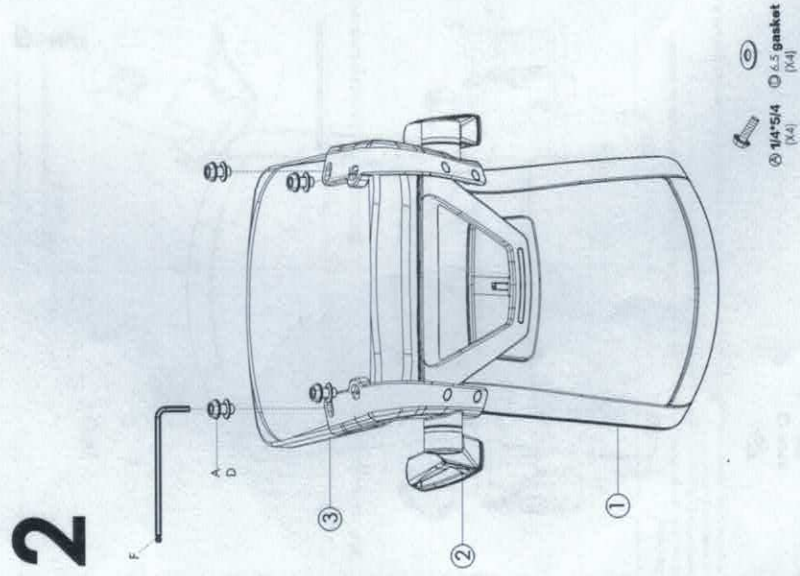
1. Assemble the back frame and armrest. Use 5/8" wrench to tighten the semi-circle head hex screws M6*18.

1

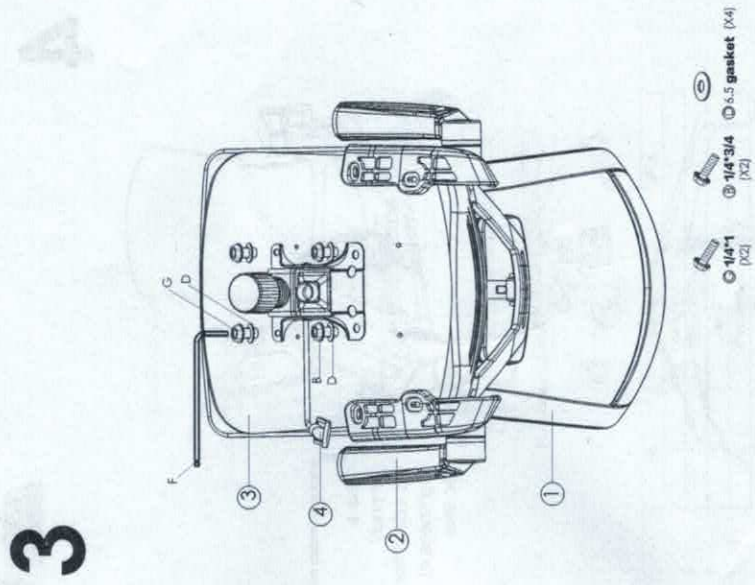


 C M6*18 (x4)

2. Use hex screws and gaskets to fix the armrest on the seat.

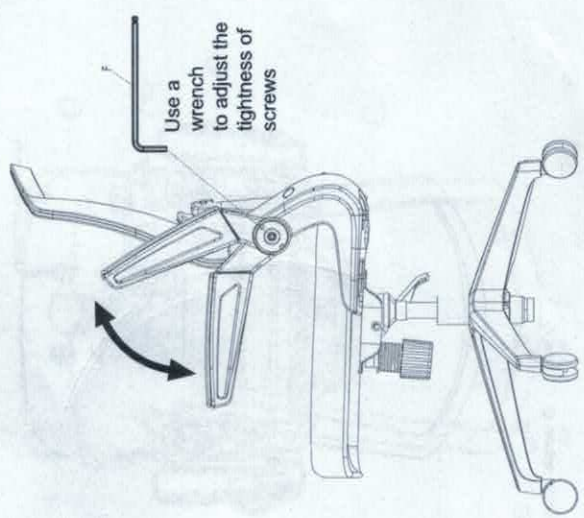


3. Use hex screws and gaskets to fix the mechanism on the seat.

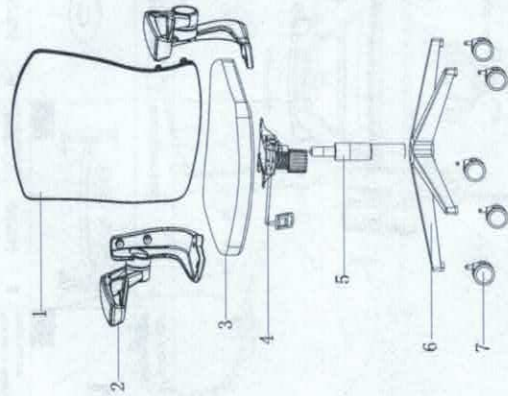


4. Before installing decorative caps of armrest, please lift the armrest to confirm the tightness of screws and use a wrench to adjust them if necessary.

4



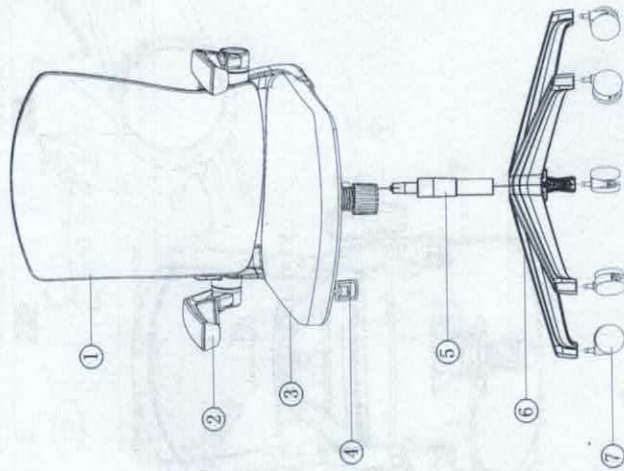
Exploded diagram:



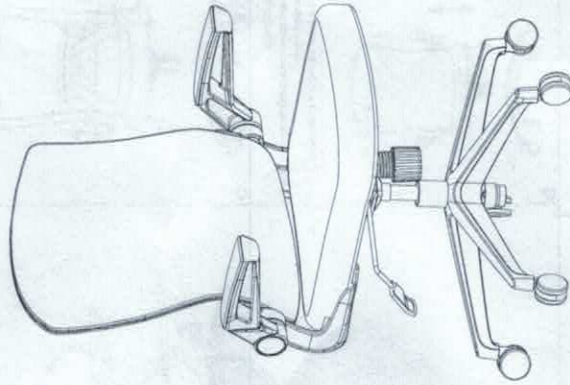
No.	Name	Pcs
1	backrest	1
2	brnrest	2
3	seat	1
4	mechanism	1
5	gas lift	1
6	five-star base	1
7	caster	5

6. Fit casters into the bottom holes of five-star base, and insert the gas lift into the central hole.

6



Done!



Functions:

